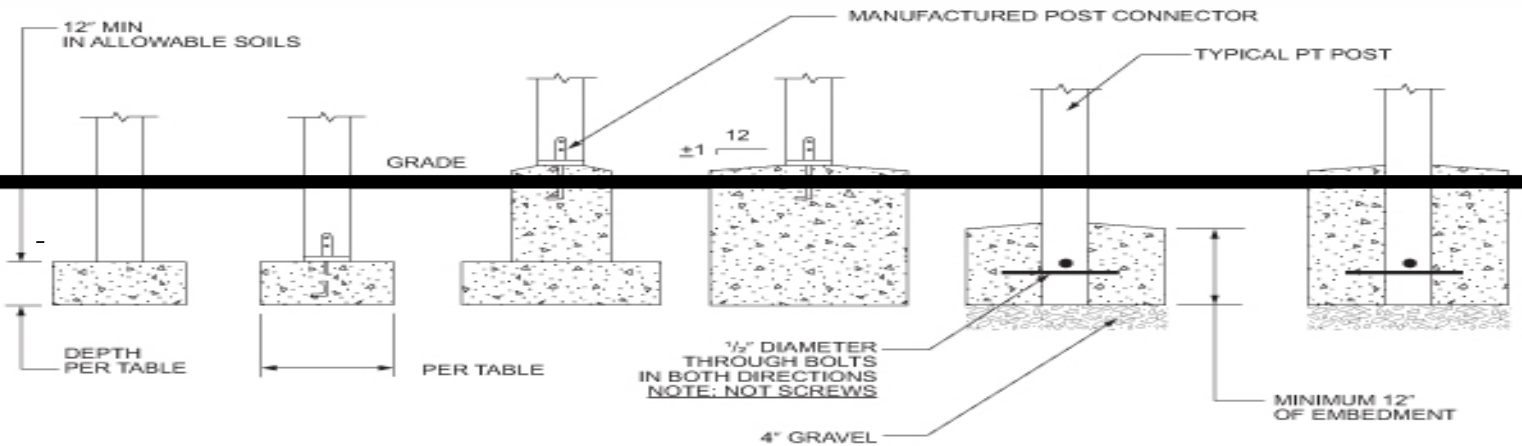
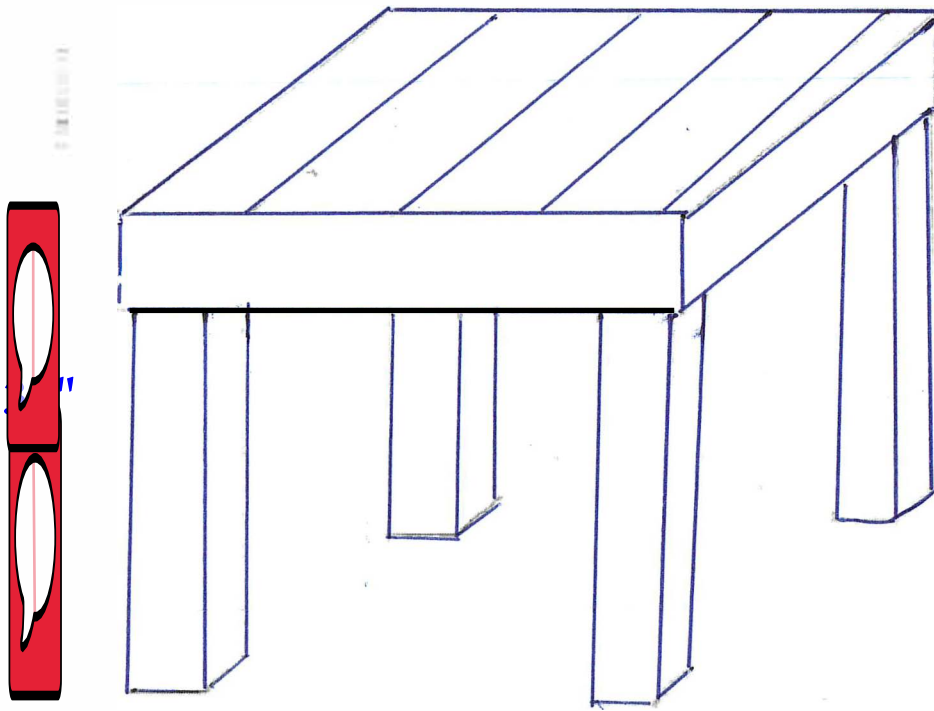
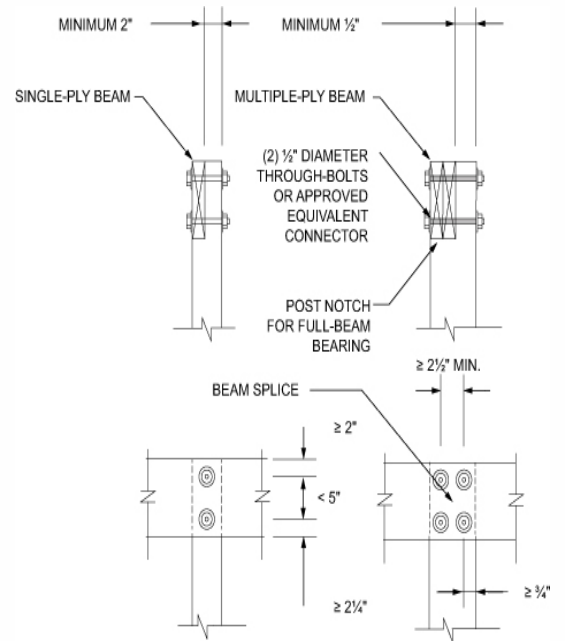
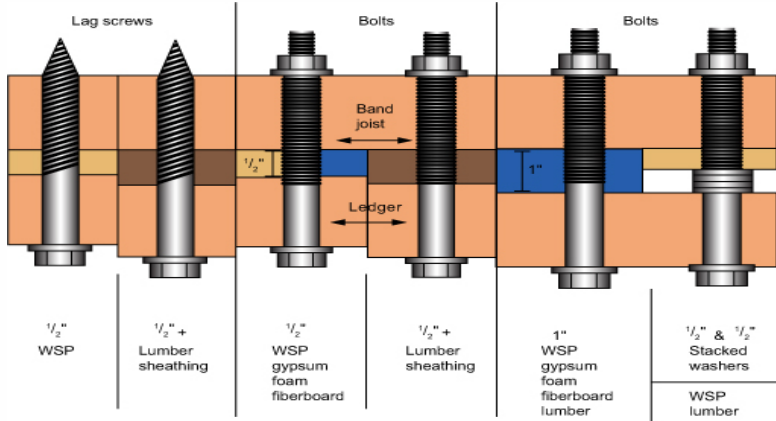




TOC FEMA HVAC PLATFORM REQUIREMENTS



NOTE: POSTS MUST BE CENTERED ON OR IN FOOTING