



Town of Ocean City
Planning & Community Development
Department of Building Safety, Inspection & Enforcement

301 Baltimore Avenue, Ocean City, Maryland 21842
www.permits@oceancitymd.gov

HVAC/Mechanical Permit Application Requirements

An HVAC/Mechanical permit is required for the installation of a new or modification of an existing HVAC/Mechanical unit and/or ductwork; Commercial Kitchen Hoods and Geothermal Heating and/or Cooling Units. If an addition, alteration, renovation, or any structural work is being performed a Building Permit would also be required. Upon completion of the Building Permit Application, you will be required to complete page 3 for HVAC.

The Application must be completed in its entirety. If you are submitting a stand-alone application digital copy of plans, insurances and related documents are required at submission and must be uploaded with the application.

The initial application fee for Commercial HVAC Permits: \$65.00
Plan Review Fee: \$150.00

The following requirements apply to an application for the installation of Commercial Kitchen Hood & Exhaust systems which may or may not include a fire suppression system.

All Commercial cooking and dishwashing equipment require a commercial kitchen exhaust hood to exhaust heat, steam, grease vapors, smoke, and products of combustion. Light-Duty cooking equipment (ovens, steam-jacketed kettles, pasta cookers, compartment steamers, and cheesemelters) and dishwashers may utilize Type II hoods which do not require integrated fire suppression systems. Electric light-duty cooking equipment and dishwashers may instead have the HVAC system designed to compensate for the exhaust of the additional heat and steam load created by the equipment. Gas-fired light-duty equipment always requires a hood. All other types of cooking equipment which fall under Medium-Duty, Heavy-Duty, or Extra-Heavy-Duty as defined in the TOC 2018 Mechanical Code require Type I exhaust hoods which must include an integrated fire suppression system.

Description of Work - Description of work should indicate the number of Type I hoods with the length of each hood specified and should indicate the number of Type II hoods with the length of each hood specified.

Site Plan & Key Plan – When not associated with a building permit application, a site plan indicating the location of the work, a roof plan that indicates all clearances from MUA intake to upblast exhaust, distance from roof edge to equipment for access, detail of anchorage of equipment to roof and/or exterior building and building key plan clearly showing the location of the hood within the premises must be provided.

Mechanical System Drawings – Drawings for new Commercial Kitchen Type I Hoods, Exhaust Systems, and fire suppression systems for Type I systems must be provided for review and approval. The drawings must include a seal and original signature of a Maryland State licensed Professional Engineer or a Registered Architect and demonstrate compliance with the TOC 2018 Mechanical Code & NFPA 96 for the installation.

Proof of filing with the TOC Fire Marshal – Type I hoods must be filed with the TOC Fire Marshal, and a receipt or other proof of filing with the Fire Marshal must be provided with the application. It is not required to file Type II Hoods with the Fire Marshall.

Flood hazard areas- mechanical systems, equipment and appliances must be elevated above the elevation specified in the TOC Chapter 38. Exposure to water can damage most mechanical system components as well as cause serious appliance and equipment malfunctions. For example, the majority of appliance manufacturers require the replacement of safety controls or entire appliances that have been submerged in flood waters. See TOC Chapter 38.

2018 International Mechanical Code & NFPA 96

COMMON HVAC VIOLATIONS

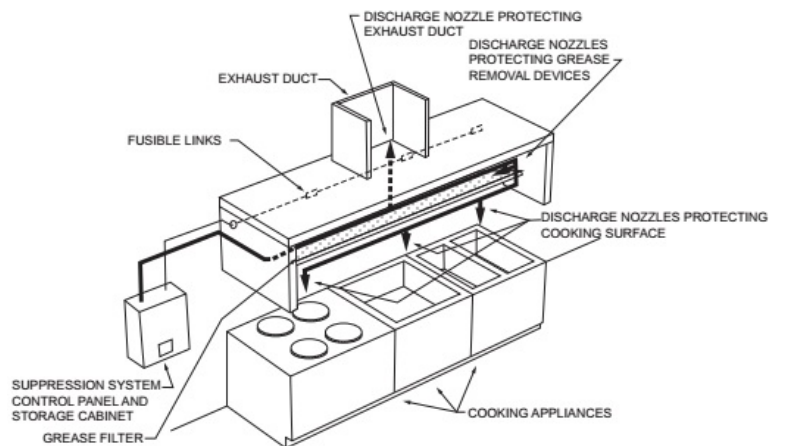
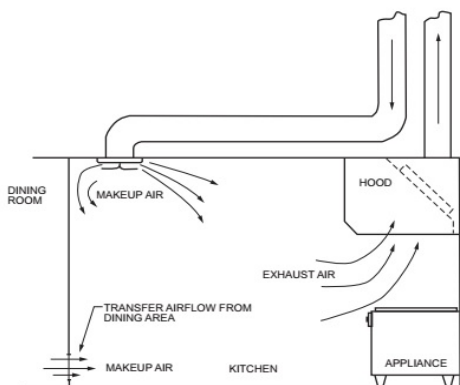
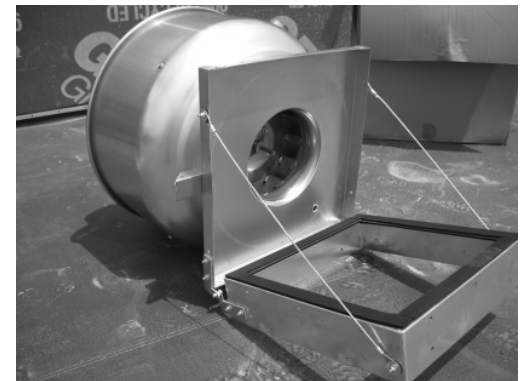
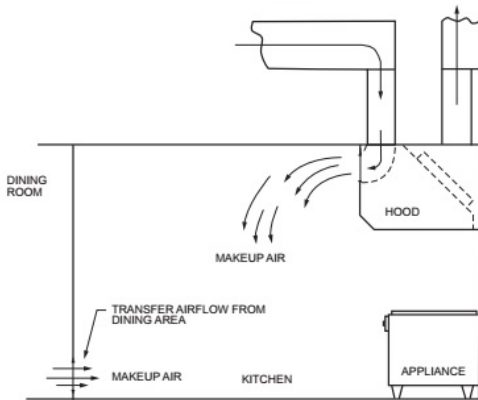
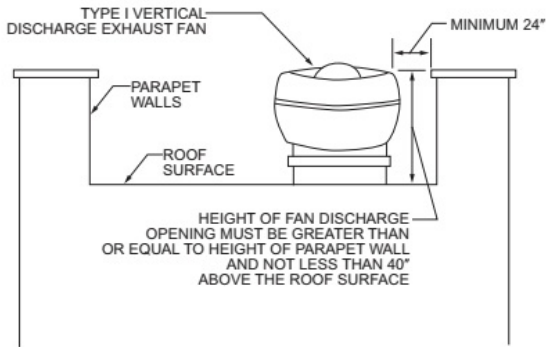
Residential HVAC new installation & retrofit

- FEMA platforms are required to be provided and meet height, anchorage, and setbacks. Please see TOC FEMA detail and zone areas.
- Non-corrosive clip and fasteners shall be attached to unit and platform.
- Locking ports shall be provided on refrigerant lines within the public access.
- Refrigerant lines insulation shall have UV resistant protection.
- Disconnects for units shall be readily accessible and **not** permitted behind unit.
- Multiple units and disconnects installed on roof or at a designated area shall be permanently identified.
- Manufacturers installation instructions shall be on site at time of inspection.
- Access shall be provided to perform inspection, i.e., roof access, ladders on site, and access to crawlspace.
- Verify over current protection on nameplate of equipment in panel.
- All firestopping and fireblocking completed at Final inspection.
- Hurricane pads are required on roofs for anchorage of equipment to meet 128mph wind loads.
- New and retrofit installations are permitted in crawlspaces in AE5 Zone.
- Condensate discharge is not permitted to discharge in crawl space. Condensate shall be conveyed to an approved place of disposal, i.e., downspout, storm drainage, french drains, or simply into the yard.
- All refrigerant lines located under crawl space shall be supported and secured to the structure.
- TOC Blower test form shall be completed and uploaded to permits@oceancitymd.gov
- Attic passageway required to have a luminaire controlled by a switch and receptacle.
- Receptacle required for service of equipment within 25 feet of equipment.

2018 International Mechanical Code & NFPA 96



not



2018 International Mechanical Code & NFPA 96

UL US LISTED
GREASE DUCT
A218

CLASSIFIED UL
GREASE DUCT
FOR USE IN GREASE DUCT ASSEMBLIES
CLASSIFIED IN ACCORDANCE WITH UL 2221
SEE UL FIRE RESISTANCE DIRECTORY
18LS

SELKIRK METALBESTOS.
Logan, OH Nampa, ID

Model Zero Clear - GREASE DUCT, CLASSIFIED AS AN ALTERNATE TO A 2 HOUR FIRE RESISTIVE SHAFT ENCLOSURE WITH A MINIMUM ZERO CLEARANCE TO COMBUSTIBLES.

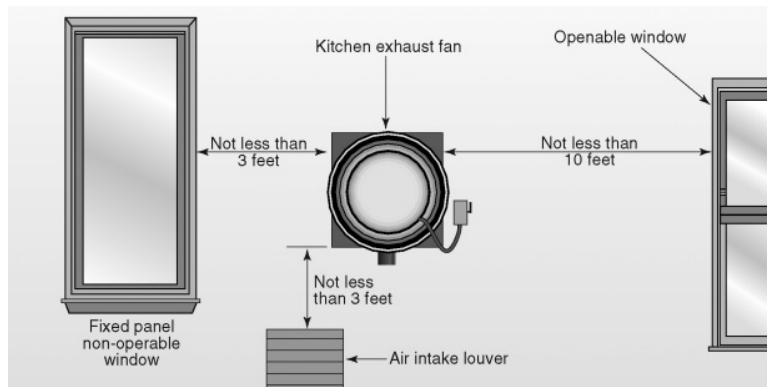
Model Zero Clear - GREASE DUCT PART FOR RESTAURANT COOKING APPLIANCE. LISTED IN ACCORDANCE WITH UL1978 - STANDARD FOR GREASE DUCTS.

FLUE DIAMETER: 5" - 36" CLEARANCE TO COMBUSTIBLES: 0" (ALL SIZES)

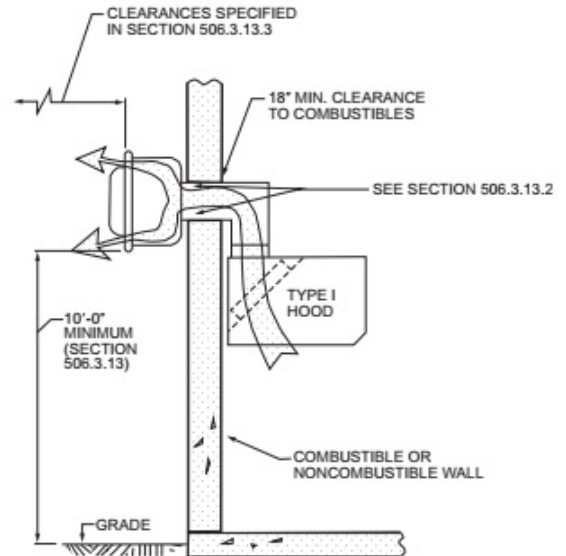
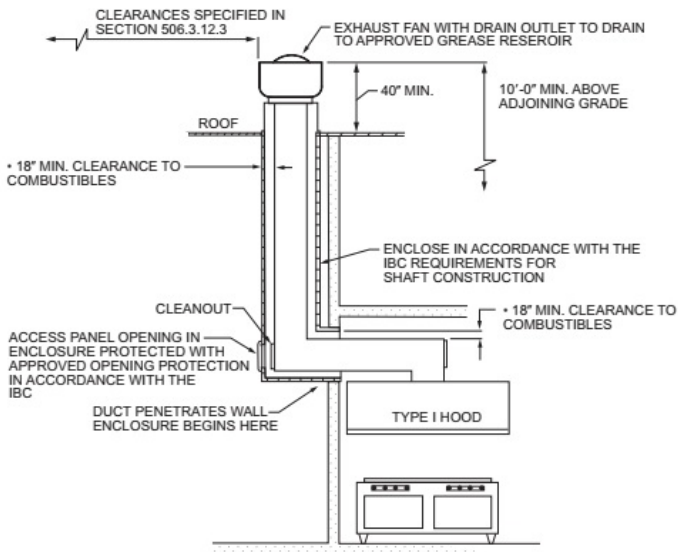
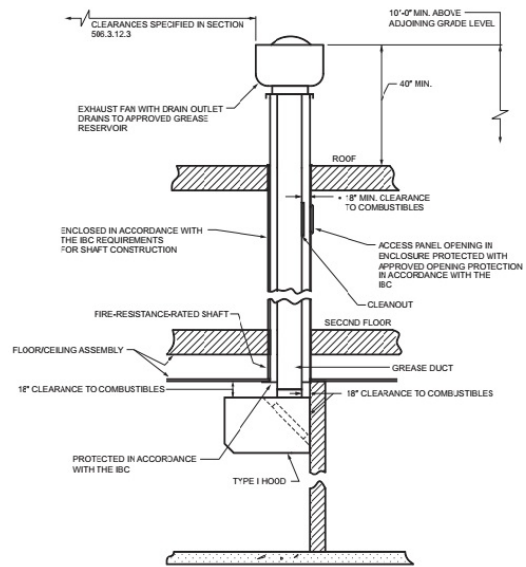
FOR GREASE DUCT SYSTEMS INSTALLED WITHOUT A CONTINUOUS FIRE-RATED ENCLOSURE, AN EVALUATED THROUGH-PENETRATION FIRESTOP ASSEMBLY SHALL BE USED. SEE THROUGH PENETRATION FIRESTOP SYSTEM NO. C-AJ-7101 IN THE UNDERWRITERS LABORATORIES, INC. FIRE RESISTANCE DIRECTORY.

INSTALL AND USE ONLY IN ACCORDANCE WITH SELKIRK METALBESTOS GREASE DUCT INSTALLATION AND MAINTENANCE INSTRUCTIONS.

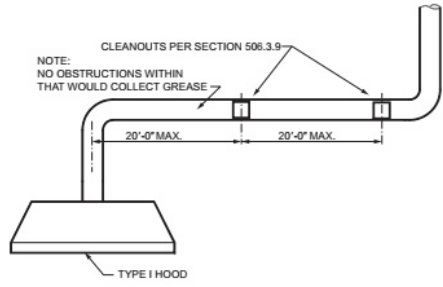
WARNING: RISK OF FIRE. DO NOT FULLY ENCLOSE WITHIN COMBUSTIBLE MATERIAL PLACED AT ZERO CLEARANCE TO ASSEMBLY.



A METALBESTOS. ZERO CLEARANCE GREASE DUCT AND FIRE-RATED INTEGRAL CHASE



2018 International Mechanical Code & NFPA 96



NOTE: HORIZONTAL SYSTEM \leq 75' IN LENGTH
SLOPED \geq 1/4:12 (2-PERCENT SLOPE) TOWARD HOOD OR APPROVED GREASE RESERVOIR

HORIZONTAL SYSTEM $>$ 75' IN LENGTH
SLOPED \geq 1:12 (8.3-PERCENT SLOPE) TOWARD HOOD OR APPROVED GREASE RESERVOIR

