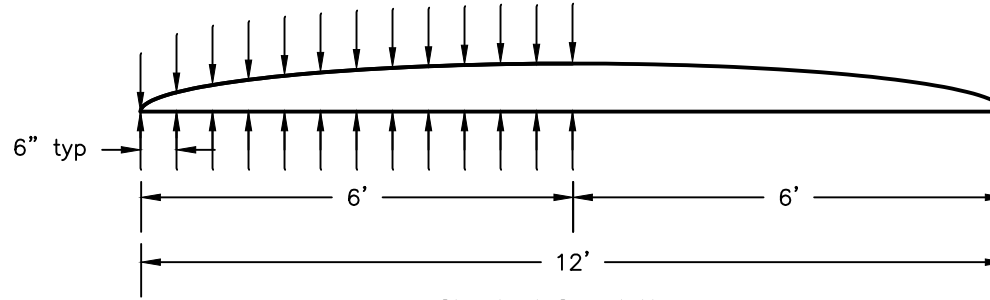
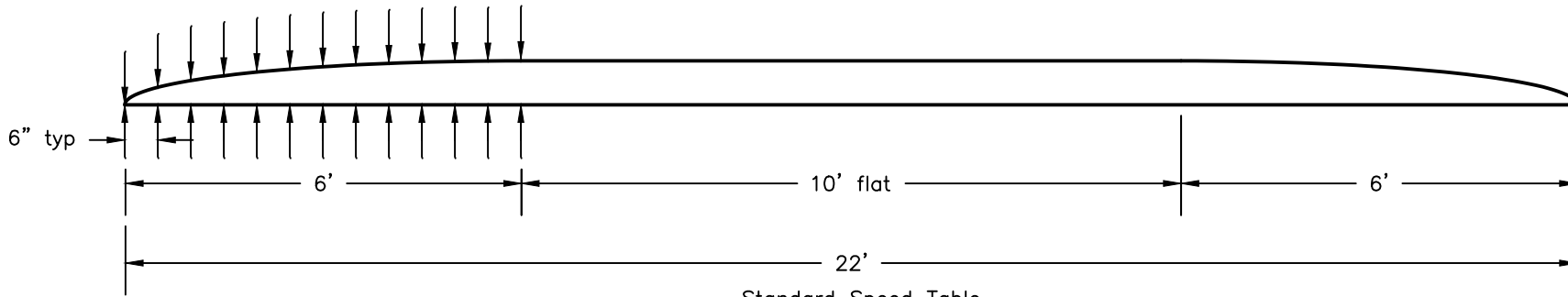


0 0.64 1.22 1.75 2.22 2.64 3.00 3.31 3.56 3.75 3.89 3.97 4 in
 0 0.56 1.07 1.63 1.94 2.31 2.63 2.89 3.11 3.25 3.40 3.48 3.5 in
 0 0.48 0.92 1.31 1.67 1.98 2.25 2.48 2.67 2.81 2.92 2.98 3 in



Standard Speed Hump
 (to be used in alleys only)

0 0.64 1.22 1.75 2.22 2.64 3.00 3.31 3.56 3.75 3.89 3.97 4 in
 0 0.56 1.07 1.63 1.94 2.31 2.63 2.89 3.11 3.25 3.40 3.48 3.5 in
 0 0.48 0.92 1.31 1.67 1.98 2.25 2.48 2.67 2.81 2.92 2.98 3 in



Standard Speed Table

General Notes:

To be used in accordance with City Traffic Calming Policy No. 600-25

Mark table/hump and roadway approaches in accordance with MUTCD 3B-25(required) and 3B-26 (optional)

Town of Ocean City

Engineering Department, rm 105

Project: PPM 600-25 SPEED HUMP/TABLE

Date: 1/13/2021

File Name: SPEED HUMP

Drawn By: TJM

Scale: NONE