

Sidewalk – Entrance Modification Permit Application



Applicant Information

Name	
Street Address	
City ST ZIP Code	
Phone	
E-Mail Address	

Owner Information

Name	
Street Address	
City ST ZIP Code	
Phone	
E-Mail Address	

Work Description

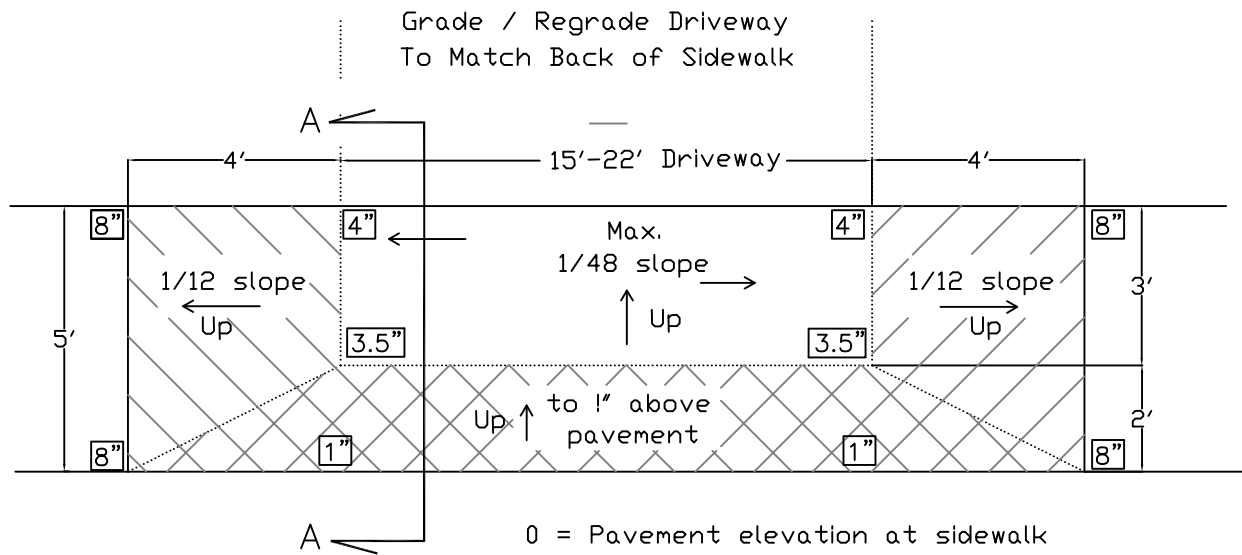
Please describe work to be done and attach a drawing showing property lines, existing sidewalk and entrance locations.

Please note:

- One entrance per lot for each street frontage
- Removal/Replacement from joint to joint
- Contact the Engineering Department at 410.289.8845 **twenty-four hours** prior to concrete pour to schedule an inspection
- All work must be done in accordance with City Standards (see attached)

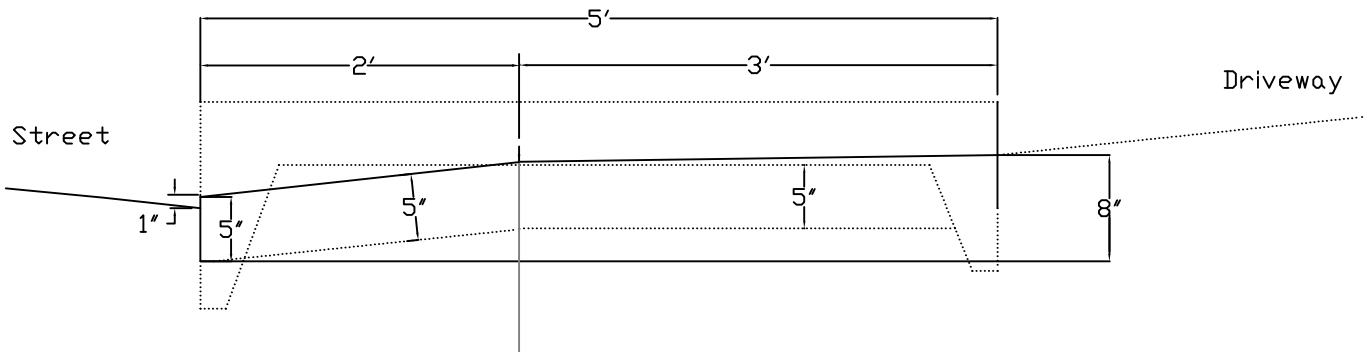
Signatures

X	
Applicant Signature	Date
X	
Engineering Approval	Date



PLAN

SCALE 1/4" = 1'



PROFILE A-A

SCALE 3/4" = 1'

NOTES

1. Refer to Ocean City Standard S-2.01 Sidewalk for construction details.

DRAWN BY:
K. JORDAN

APPROVED BY:

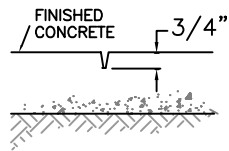
DATE: 11-5-07
Revised 10-23-13

DATE:

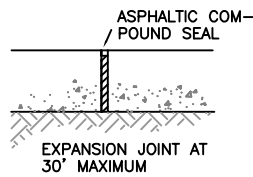
OCEAN CITY STANDARDS
SIDEWALKS / CURBS
ADA DRIVEWAY SLOPES

STANDARD NO.

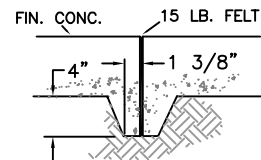
S-201A



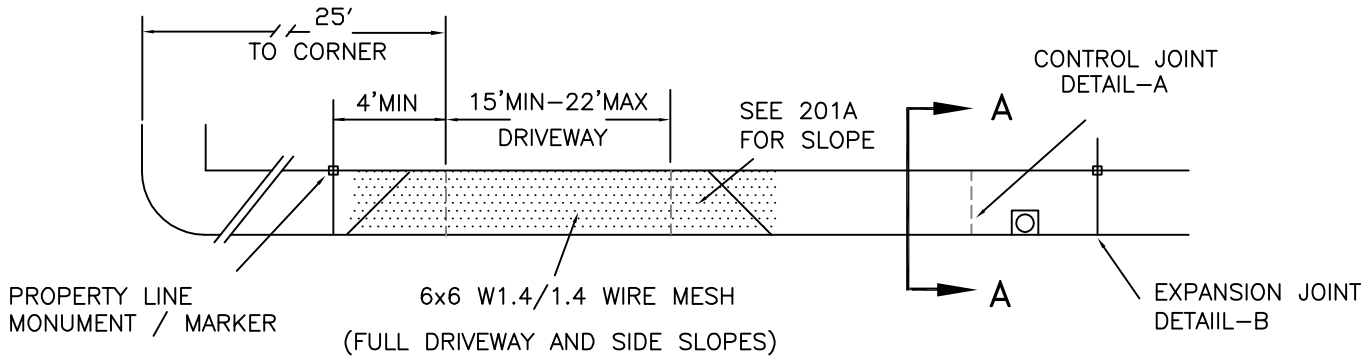
DETAIL - A
CONTROL JOINT @ 10' O.C.



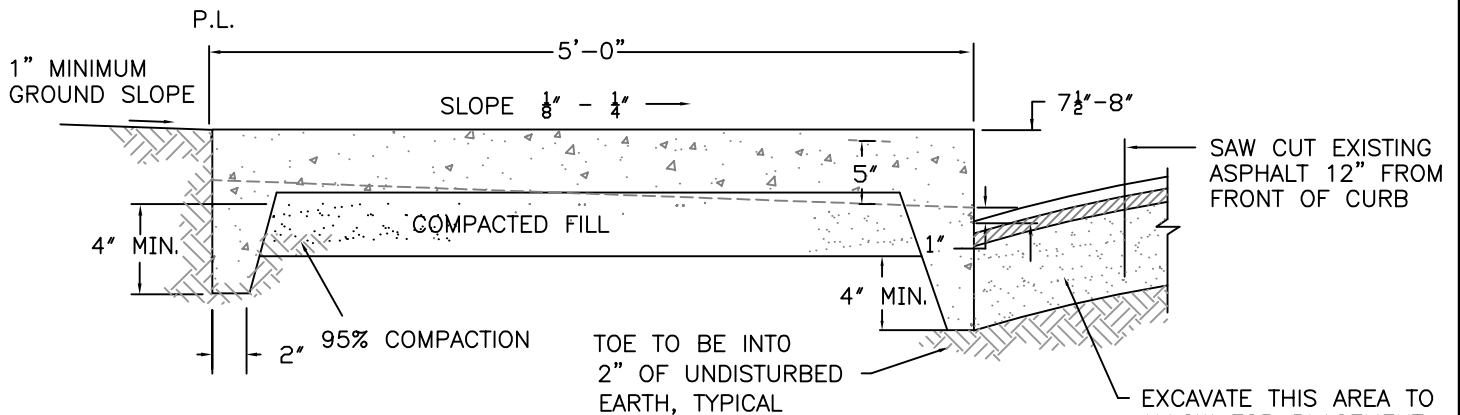
DETAIL - B
EXPANSION JOINT



DETAIL - C
CONSTRUCTION JOINT



STREET LAYOUT



SECTION A-A

NOTES

1. FLOAT AND BROOM FINISH WITH SLOPED SURFACE TO DRAIN 1/8" L.F.
2. ALL CONCRETE TO BE 3,000 PSI MINIMUM IN 28 DAYS.
3. INSPECTION REQUIRED BEFORE POURING (ENGINEERING DEPT.)
4. THE SIDEWALK IS TO BE PLACED ON THE LOT SIDE OF THE PROPERTY LINE, IF THE STREET WIDTH IS LESS THAN 50'
5. FOR SIDEWALK INSTALLATION, A LOT SURVEY SHOWING GRADES AT PROPERTY LINE, & STREET CENTER LINE, MAYBE REQUIRED
6. STEEL FORMS; RADIUS TO BE STEEL FLEXIBLE TRUE TO FORM LINE AND GRADE; ALL FORMS TO BE UNIFORM. FRONT SIZE 12"; REAR SIZE 8"
7. PLACE EXPANSION JOINTS AT FIRE HYDRANTS, UTILITY POLES, RAMPS, OR OTHER STRUCTURES WITHIN SIDEWALK AREA
8. FOR RELOCATION OF HYDRANTS, UTILITY POLES, ETC., NOTIFY PROPER PARTY, WELL IN ADVANCE OF INSTALLATION.
9. IN EVENT THE ROAD GRADE IS BELOW DESIGN GRADE, TOE REQUIRED AT 4" MINIMUM BELOW EXISTING CONDITION.
10. ALL DRIVEWAYS TO BE HANDICAPP ACCESSABLE SIDE SLOPES TO BE 1:12 FALL, MAXIMUM CROSS SLOPE 4% - SEE 201A

3X4-1
S-201

DRAWN BY:
K. JORDAN

APPROVED BY:

DATE: 3-9-95
REV 4-1-07;
10-23-13

DATE:

OCEAN CITY STANDARDS
SIDEWALKS / CURBS
5' WIDE CITY SIDEWALK

STANDARD NO.

S-2.01